
Headers

Speaker connector: SPEAK1

This 4-pin connector connects to the case-mounted speaker. See the figure below.

Power LED: PWR LED1

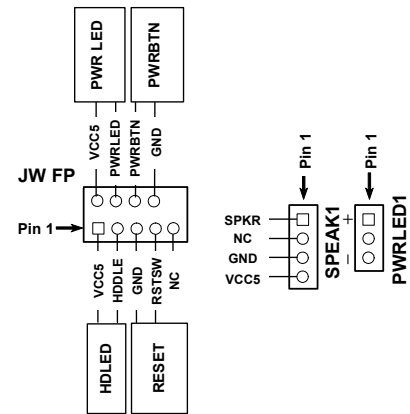
The Power LED is light on while the system power is on. Connect the Power LED from the system case to this pin.

IDE Activity LED: HD LED

This connector connects to the hard disk activity indicator light on the case.

Reset switch lead: RESET

This 2-pin connector connects to the case-mounted reset switch for rebooting your computer without having to turn off your power switch. This is a preferred method of rebooting in order to prolong the life of the system's power supply. See the figure below.



System Case Connections

Power switch: PWR BTN

This 2-pin connector connects to the case-mounted power switch to power ON/OFF the system.
